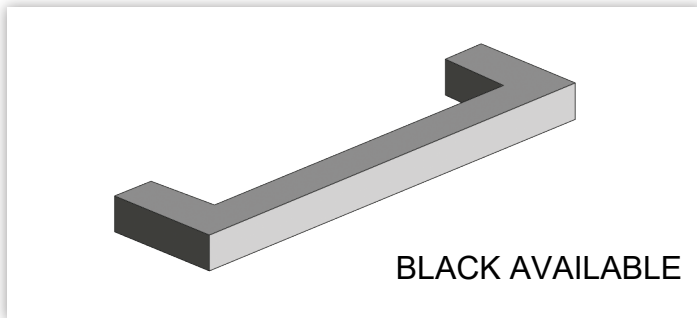
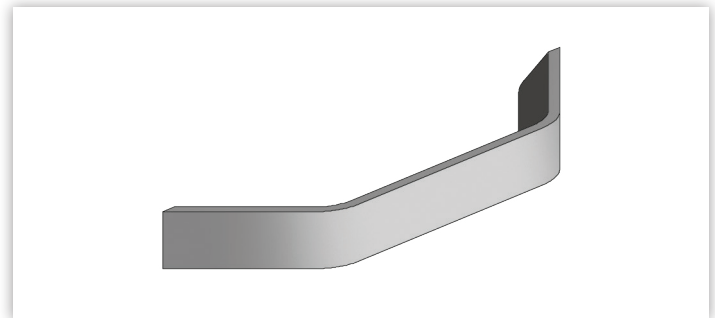


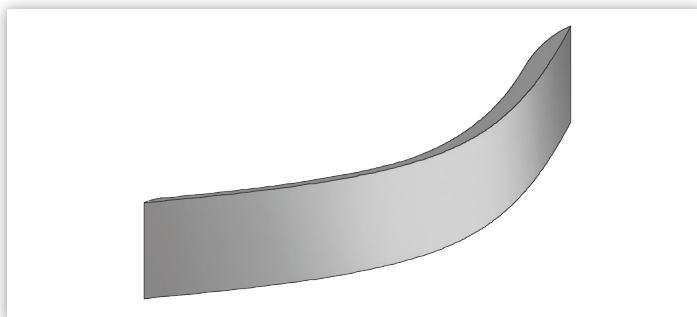
Standard Pulls



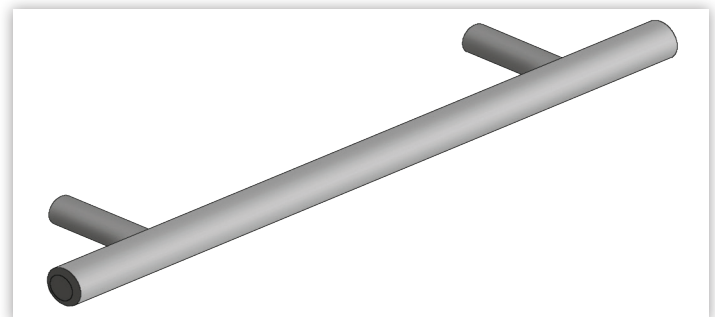
(P1) Aluminium Brushing



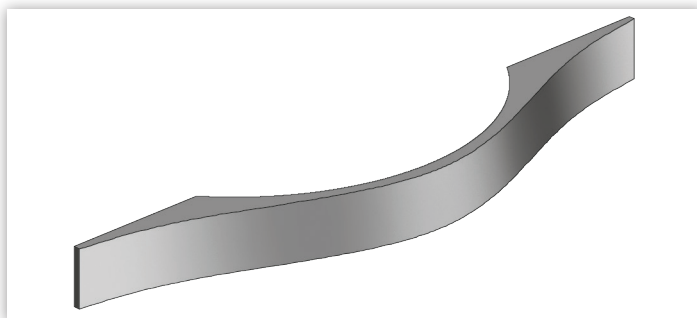
(P2) Matte Aluminium



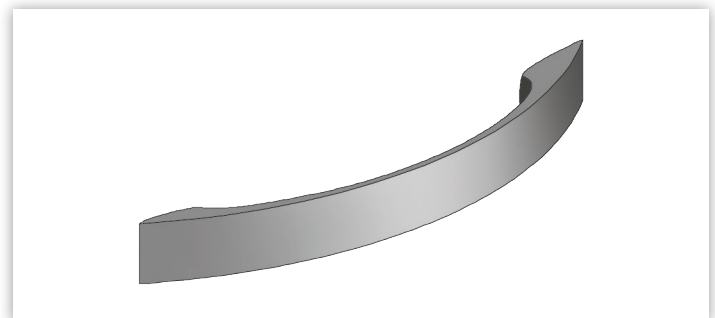
(P3) Matte Aluminium



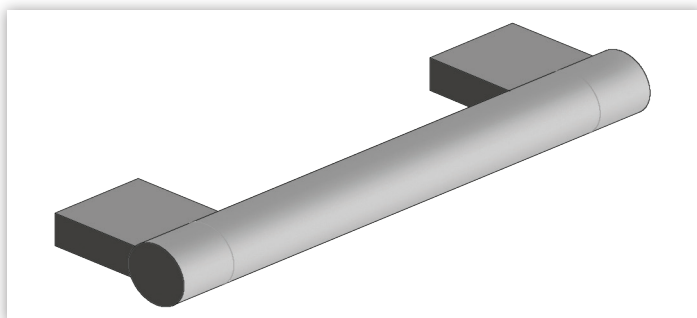
(P4) Stainless Steel Brushing



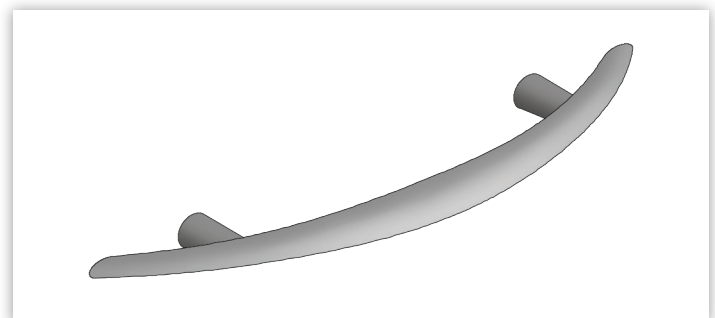
(P5) Aluminium Brushing



(P6) Aluminium Brushing



(P7) Matte Aluminium



(P8) Aluminium Brushing