



customcrafters

YOU DESIGN IT WE BUILD IT

**LOOK
BOOK**

**THE FUTURE
OF FURNITURE**

|| Protective Screens

HEALTH + SAFETY SOLUTIONS

THE FUTURE OF FURNITURE

|| Protective Screens

When your design vision exceeds standard solutions Custom Crafters is your answer.



How We Will Continue to Help

Rethinking areas with high contact or chance of cross contamination will be an important factor in creating a safe environment. Our long-term goal will be to modify these areas to function in a safer matter so that your team will continue to operate efficiently.





Protective Panel

We can add tall and easy-to-clean glass or laminate dividers along the aisle ways. Protective panels and screens can be added to existing work stations for additional privacy and safety.



Full Height, Mobile Acrylic Wall

This plexi-glass wall, featuring aluminum channels and laminate legs, is on mobile casters to easily adapt as your office's occupancy shifts.



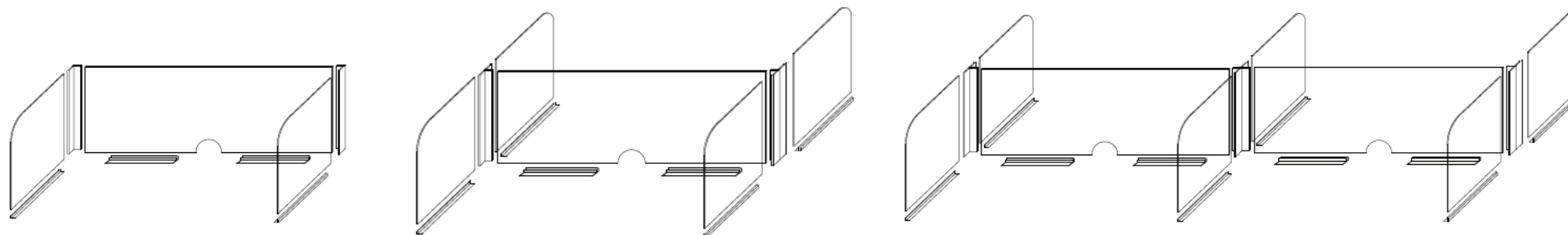
End of Run Storage

Modifying and updating your current space is our specialty, such as incorporating "end of run" storage to house communal sanitation supplies, trash, and recycling.



Partial Height Acrylic

We will work with you to adapt your current products or provide new furniture solutions to build a space that is both effective and safe.

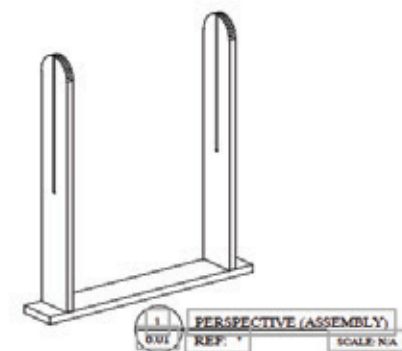
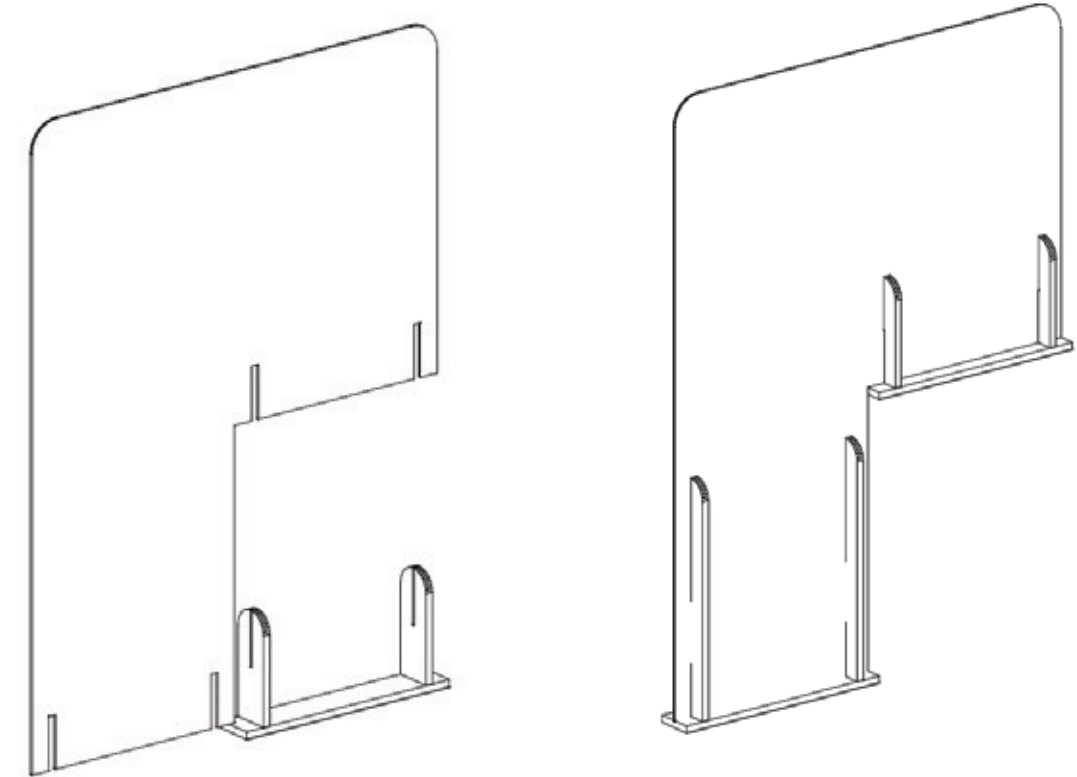




Compatible with Adjustable-Height Desks

Overall changes to your office facility can help to improve the functionality and usability in accordance with government regulations.

This full-height screen is compatible with both height-adjustable and stationary desks, allowing for ultimate flexibility.





Acrylic Panel

We can provide custom acrylic panel solutions for reception desks and other workstations for enhanced office safety and germ prevention.



Face Shield

Keeping employee safety in mind, we have face shields in stock for quick turnaround.



Custom Solutions

As we continue to learn more about what our futures hold, we understand there will be a need to modify our working environments. Our team is ready to assist with finding the best workplace practices and solutions to keep your space functional, practical, and most importantly, safe.

We understand the need to alter the working environment as quickly and efficiently as possible. We will work with you on finding short term solutions that will allow your team to resume their daily work lives, as well as implementing long term solutions to continue best workplace practices.



customcrafters



Headquartered in Chicagoland, but serving clients nationally, Custom Crafters offers beautifully handcrafted pieces with a focus in commercial, healthcare, hospitality and higher education markets.

customcrafterschicago.com

CONTACTS

Kris Imala
CEO & Owner
kimala@customcrafterschicago.com

Paul Kelly
President & Partner
paulk@customcrafterschicago.com

LOCATIONS

Forest Park Office / Warehouse
7540 W. Roosevelt Rd.
Forest Park, IL 60130

Nashville Office
7149 Centennial Blvd.
Nashville, TN 37209

Denver Office
12015 E 46th Ave.
Denver, CO 80239

YOU DESIGN IT.
WE BUILD IT.